

# OPERATOR'S MANUAL



ZEETER® CLASSIC



ZTR®  
2002

## ***IMPORTANT - READ CAREFULLY***

The Dixon<sup>®</sup> ZTR<sup>®</sup> Mower is both easy and fun to operate. However, any power mower must be operated properly to be safe. It is not a toy or a recreational vehicle. Before you start to use the mower, read the operator's manual carefully and become completely familiar with the controls.

The information contained in this manual applies to all Dixon<sup>®</sup> ZEETER<sup>®</sup> Classic Mowers. Your Dixon dealer will gladly answer any questions.

See your dealer for warranty service, parts and repairs.

# INDEX

Page

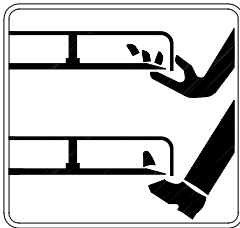
Safety. . . . .	4-11
Warranty Policy. . . . .	12
Specifications. . . . .	13
Seat Adjustment Instructions. . . . .	14
Controls. . . . .	15-17
Operation Instructions. . . . .	18-27
Care & Maintenance. . . . .	28-38
Standard Service Parts List. . . . .	39
Troubleshooting. . . . .	40-41

ZEETER Classic  
Part No. 10504-1101

# SAFETY

***RIDING LAWN MOWERS,  
IF IMPROPERLY OPERATED,  
CAN CAUSE SERIOUS INJURY OR DEATH.***

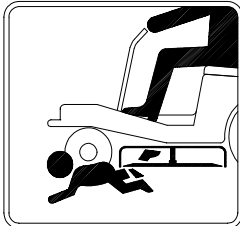
*The most common causes of injury to the operator or bystander...*



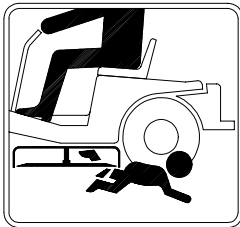
**BLADE CONTACT**



**TIP OVER**



**RUN OVER**



**BACK OVER**

*...read and understand this manual to prevent injuries.*

# SAFETY



## Safety Alert Symbol

When you see this symbol,  
BE ALERT to the potential for injury.

*Follow recommended safety precautions  
and safe operating practices.*



DANGER

(highlighted in red)

indicates an imminently hazardous situation which, if not avoided, will result in death or serious injury.



WARNING

(highlighted in orange)

indicates a potentially hazardous situation which, if not avoided, could result in death or serious injury.



CAUTION

(highlighted in yellow)

indicates a potentially hazardous situation which, if not avoided, may result in minor or moderate injury. It may also be used to alert against unsafe practices.

# SAFETY

*Failure to observe the following safety instructions could result in serious injury or death.*

## **GENERAL OPERATION:**

- Read, understand, and follow all instructions in the manual and on the mower before starting.
- Only allow responsible adults, who are familiar with the instructions, to operate the mower.
- Clear the area of objects such as rocks, toys, wire, etc., which could be picked up & thrown by the blade.
- Be sure the area is clear of other people before mowing. Stop mower if anyone enters the area.
- NEVER carry passengers.
- Do not mow in reverse unless absolutely necessary. Always look down & behind before & while backing.
- Be aware of the mower discharge direction and do not point it at anyone.
- Do not operate the mower without either the entire grass catcher or the deflector in place.
- Slow down before turning.
- Never leave a running mower unattended. Always turn off blades, set parking brake, stop engine and remove key before dismounting.

# SAFETY

## **GENERAL OPERATION (continued):**

- Turn off blades when not mowing.
- Stop engine before removing grass catcher or unclogging chute.
- Mow only in daylight or good artificial light.
- Do not operate the mower while under the influence of alcohol or drugs.
- Watch for traffic when operating near or crossing roadways.
- Use extra care when loading or unloading the mower into a trailer or truck. Do not ride the mower when loading and unloading.
- Always wear safety goggles or safety glasses with side shields when operating mower.
- Data indicates that operators, age 60 years and above, are involved in a large percentage of riding mower-related injuries. These operators should evaluate their ability to operate the riding mower safely enough to protect themselves and others from serious injury.
- Follow the manufacturer's recommendation for wheel weights and counterweights.
- Maintain or replace safety & instruction labels as needed.

**WARNING:** *The engine exhaust from this product contains chemicals known to the State of California to cause cancer, birth defects or other reproductive harm.*



## ***SLOPE OPERATION:***

***Slopes are a major factor related to loss-of-control and tip-over accidents, which can result in severe injury or death.***

***All slopes require extra caution.***

***If you cannot back up the slope or if you feel uneasy on it, do not mow it!***

### **DO**

- Mow across the slope with your Dixon ZTR - never up or down.
- Remove obstacles such as rocks, tree limbs, etc.
- Watch for holes, ruts or bumps. Uneven terrain could overturn the mower. Tall grass can hide obstacles.
- Use slow speed. Tires may lose traction on slopes even though the brakes are functioning properly.
- Use extra care with grass catchers or other attachments. These can change the stability of the mower.
- Keep all movement on the slopes slow and gradual. Do not make sudden changes in speed or direction.
- Avoid starting or stopping on a slope. If tires lose traction, disengage the blades and proceed slowly down the slope.
- If front wheels lift off the ground, pull the levers back to stabilize the mower.

### **DO NOT**

- Do not*** turn on slopes unless necessary, and then, turn slowly and gradually downhill, if possible.
- Do not*** mow near drop-offs, ditches, or embankments. The mower could suddenly turn over if a wheel is over the edge of a cliff or ditch, or if an edge caves in.
- Do not*** mow on wet grass. Reduced traction could cause sliding.
- Do not*** try to stabilize the mower by putting your foot on the ground.
- Do not*** use grass catcher on steep slopes.



# SAFETY

## **CHILDREN:**

*Tragic accidents can occur if the operator is not alert to the presence of children.*

*Children are attracted to lawn mowers and the mowing activity.*

*NEVER assume children will stay where they were last seen.*

*Be alert to avoid accidents.*

- Keep children out of the mowing area and under the watchful care of another responsible adult.
- Be alert and turn mower off if a child enters the area.
- Before and during backing, look BEHIND and DOWN for small children.
- Never carry children. They may fall off and be seriously injured or interfere with safe mower operation.
- Never allow children to operate the mower.
- Use extra care when approaching blind corners, shrubs, trees, or other objects that may obscure vision.

 **SAFETY*****SERVICE:***

- Use extra care in handling gasoline and other fuels. They are flammable and vapors are explosive.

Use only an approved container.

Never remove fuel cap or add fuel with engine running. Allow engine to cool before refueling.

Do not smoke while refueling.

Never refuel the mower indoors.

Never store the mower or fuel container inside a building where there is an open flame.

If fuel is spilled on clothing, change clothing immediately.

To prevent fire and explosion caused by static electricity:

Never fill containers inside a vehicle or on a truck or trailer bed with a plastic liner. Always place containers on the ground away from your vehicle before filling.

When practical, remove fuel-powered equipment from the truck or trailer and refuel it on the ground. If this is not possible, then refuel such equipment on a trailer with a portable container, rather than from a fuel dispenser nozzle.

If a fuel dispenser nozzle must be used, keep the nozzle in contact with the rim of the fuel tank or container opening at all times until fueling is complete. Do not use a nozzle lock-open device.

## SAFETY

### ***SERVICE (continued):***

- Never run a mower inside a closed area. The exhaust fumes are toxic.
- Keep nuts and bolts tight, especially blade attachment bolts, and keep equipment in good condition.
- Never tamper with safety devices. Check their proper operation regularly.
- Keep mower free of grass, leaves, or other debris buildup. Clean up oil or fuel spillage. Allow mower to cool before storing.
- Stop and inspect the equipment if you strike an object. Repair, if necessary, before restarting.
- Never make adjustments or repairs with the engine running unless otherwise specified.
- Grass catcher components are subject to wear, damage and deterioration, which could expose moving parts or allow objects to be thrown. Frequently check components and replace with original equipment parts, when necessary.
- Mower blades are sharp and can cut. Wrap the blade(s) or wear gloves, and use extra caution when servicing them.
- Batteries contain sulfuric acid. To prevent burns avoid contact with skin, eyes and clothing. To prevent a fire or explosion keep sparks and open flames away from battery.
- Before disconnecting the negative (-) ground cable, make sure all switches are OFF.

DIXON INDUSTRIES, INC.  
a BLOUNT company  
Airport Industrial Park  
P.O. Box 1569  
Coffeyville, Ks 67337- 0945  
620-251-2000  
Fax 620-251-4117



## DIXON LIMITED WARRANTY POLICY 3000 & 4000 Series & ZEETER Classic

WARRANTY: Home Owner Application: This Dixon Warranty term is for a period of two (2) years from date of purchase. Commercial Application: Dixon mowers used for commercial application are warranted for 30 days from the date of purchase. Commercial use is specified as use other than, or in addition to, mowing at owner's primary place of residence.

### DIXON ZTR MOWERS ARE WARRANTED AGAINST DEFECTS IN MATERIALS AND WORKMANSHIP AND PROVIDES FOR REPLACEMENT OR REPAIR OF PARTS INCLUDING LABOR COSTS. THIS WARRANTY IS SUBJECT TO THE FOLLOWING CONDITIONS AND LIMITATIONS:

1. Warranty applies only to original retail purchaser of new and unused mowers and accessories.
2. All Dixon warranty must be accomplished by authorized Dixon dealers and in accordance with Dixon warranty policy and allowances. All warranty claims must be approved by Dixon Industries, Inc.
3. Battery warranty: Limited to 90 days from date of purchase.
4. Accessories Warranty (Grass Catchers, Snow Blades, Covers, etc.): Limited to 90 days from date of purchase.
5. Warranty does not apply to damage in transit or incidents of misuse, negligence, accidents, or alteration. The use of parts or components other than those supplied by Dixon Industries, Inc. VOIDS ALL WARRANTY.
6. The following items are not covered by this warranty policy:
  - a. Pick up and delivery charges for transportation of mower to and from an authorized Dixon dealer's place of business.
  - b. Transaxle adjustments.
  - c. Belts/chains/sprockets/cutting blades.
  - d. Engines - All engines used on Dixon ZTR mowers are warranted by the individual engine manufacturer.
  - e. Any costs or expense of providing substitute equipment while repair work is being performed on a warranted mower.
7. There is no other express warranty. Implied warranties, including those of merchantability and fitness for a particular purpose, are limited to the same duration of the express warranty, and to the extent permitted by law any and all implied warranties are excluded. Liabilities for consequential damages under any and all warranties are excluded.

*Blue/Customer Yellow/Dealer White/Dixon Ind.*

WARRANTY VALIDATION: At the time of sale, selling dealer must review each portion of this warranty document, complete the information section below, secure customer's signature & send copy to Dixon Industries, Inc.

DATE OF PURCHASE \_\_\_\_\_ MODEL \_\_\_\_\_ S/N \_\_\_\_\_

Owner's Name \_\_\_\_\_

Dealership \_\_\_\_\_

Address \_\_\_\_\_

Address \_\_\_\_\_

Owner's Signature \_\_\_\_\_

Dealer's Signature \_\_\_\_\_

# SPECIFICATIONS

## Model ZEETER Classic

CHASSIS:	11 GA welded rectangular tubing
BODY:	All body parts made of high density polyethylene. Dent and corrosion resistant. Front body contains access panel for battery service.
MOWER DECK:	13 GA stamped steel construction. Three blades combine for a 42" cut width. Cut height approximately 1"- 4" via 7-position lift handle.
BLADE DRIVE:	Electric clutch.
TRANSMISSION:	Each rear wheel is independently driven by chain and sprockets through a mechanical friction drive.
ENGINE:	13.5 HP Briggs & Stratton Intek, 4-Cycle, Single Cylinder, Overhead Valve, Air-Cooled, Gasoline, Vertical Shaft with Cast Iron Cylinder, AVS (Anti-Vibration System), Pressure Lube & Filter.
STARTING SYSTEM:	Electric by key switch operation with safety interlock blade drive.
TIRES:	Front 11 x 4.00-5 ribbed tread. Rear 18 x 8.50-8 Turf Trac R/S
RECOMMENDED TIRE PRESSURE:	Front 16-21 PSI Rear 8-14 PSI
CAPACITIES:	Fuel 2.4 gallons total Engine 1.5 quarts oil
DIMENSIONS:	Width 47" outside rear wheel measurement Height 42" to top edge of seat Length 72" hitch tab to front bumper Weight 520 lbs.

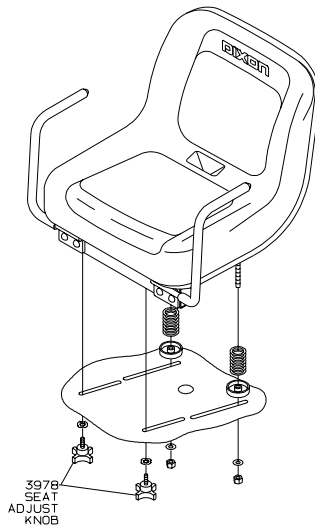
Additional information provided in service instructions under the individual component.

**SPECIFICATIONS SUBJECT TO CHANGE WITHOUT NOTICE**

# SEAT ADJUSTMENT INSTRUCTIONS

## Model ZEETER Classic

1. Raise and push seat assembly forward.
2. Loosen seat adjustment knobs and slide seat forward or backward to desired position.
3. Re-tighten nuts. DO NOT operate mower without seat adjustments properly tightened.
4. Push seat assembly back to closed position.



# CONTROLS

The Dixon ZTR has a unique transaxle that requires only two drive levers to control braking, turning, speed and direction.

On initial operation, set throttle speed on slow. Operate with mower blade in "OFF" position.

To avoid "over-controlling" the mower, use a light touch on the drive levers.

Slight movements using fingertip control is all that is necessary.

## ***PARKING BRAKE:***

The parking brake is designed to hold the mower from moving and is not intended for use in stopping the mower while it is in motion.



### **CAUTION**

Engage parking brake before starting engine.

## ***TO SET PARKING BRAKE:***

The hand operated parking brake is located on the right end of the mower.

To engage brake, pull lever up (to the rear).

To release brake, move lever forward (down).

**NOTE:** Always set parking brake before dismounting. Release parking brake before moving mower.



## ***TRANSMISSION DRIVE SYSTEM***

Allows the mower to turn on its own axis "ZERO TURNING RADIUS". Each lever controls one side of the mower.

**NOTE:** The pressure required to operate the mower is very light.

# CONTROLS

## CONTROL LEVERS

### TO GO FORWARD:

- From neutral position, gently push both control levers forward.
- To increase speed, move levers further forward.

### TO GO BACKWARD:

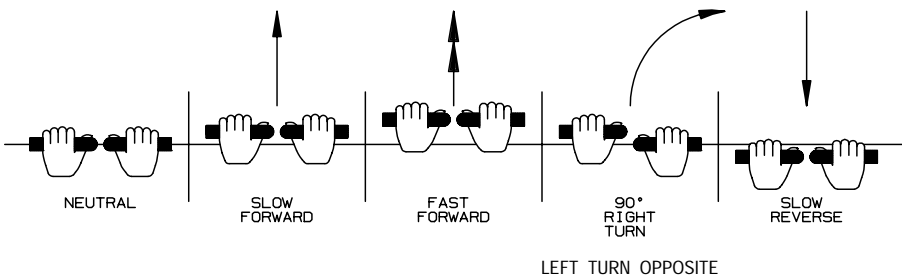
- From neutral position, gently pull both control levers toward you.

### TURNING:

- Turning is controlled by moving one control lever slightly forward or rearward of the other.
- To turn left, move left lever rearward of the right lever.
- To turn right, move right lever rearward of the left lever.
- To turn on mower's own axis (zero turning radius), stop and move one lever to reverse position and the other to forward position.

### BRAKING:

- To brake mower, move both levers in direction opposite of travel.



*Note: The pressure required to operate the mower is very light.*



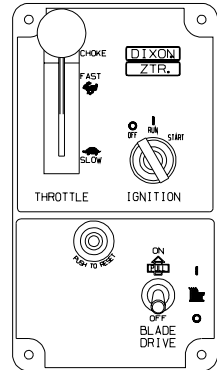
# CONTROLS

## ***BLADE DRIVE:***

- Located on the control panel, on the operator's right.
- To engage the mower blades, pull up on the switch.
- To disengage mower blade, push down.

## ***CIRCUIT BREAKER:***

- Protection of the electrical system is by (1) 15 amp circuit breaker.
- If circuit breaker trips, push button to reset.
- If this condition repeats, consult dealer for inspection and repair.



## ***THROTTLE CONTROL LEVER:***

- Located on control panel to operator's right.
- Throttle control for engine speed.
- Choke for engine starting.
- Throttle control should be set to MAXIMUM or wide open setting to ensure adequate cooling of the engine and to maintain mower deck blade speed while mowing.

## ***MOWER DECK LIFT LEVER:***

- Located to the right of the control levers.
- Controls the cutting height.
- Eight positions of adjustment.
- Move lever left and forward to lower.
- Move lever left and back to raise.

NOTE: Always use high for transport.



# OPERATION INSTRUCTIONS

The safe and successful operation of the ZEETER Classic mower will depend upon the operator having the correct knowledge of all controls used on the mower and making good judgements about the terrain to be mowed.

*NEVER* allow anyone to operate the mower without complete knowledge of all controls and their functions.

During initial operation, "learning to drive", set throttle at slow speed.

Sound judgement by the operator will prevent accidents.

## ***TOWING:***

Towing a trailer or other attachment that is too heavy could damage the drive or cause the mower to become unstable. Limit loads to 250 pounds or less with this mower.

# OPERATION INSTRUCTIONS

## ***BEFORE OPERATING MOWER:***

1. Read and observe all safety instructions on your mower and in the manual.
2. Read engine manufacturer's operating and maintenance instructions.
3. Check engine oil.
4. Check fuel cap to be sure it is in place.
5. Be sure parking brake is on.
6. Mower blade drive is off.
7. Know how to stop engine. (Turn key to off position).

# OPERATION INSTRUCTIONS



## ***TESTING OF SAFETY INTERLOCK SYSTEMS:***

Do not operate mower if safety switches are not operating properly.

### BLADE DRIVE SWITCH TEST:

- a) Engage blade drive switch.
- b) Turn ignition switch to START.

***ENGINE SHOULD NOT TURN OVER  
OR ATTEMPT TO START!***

### SEAT SWITCH TEST:

- a) In a SAFE AREA away from bystanders, start the engine.
- b) Engage blade drive switch.
- c) Raise slightly off seat.

***ENGINE SHOULD STOP!***



***If any safety check fails:*** Do not operate the mower until the system has been checked and repaired by an authorized Dixon ZTR dealer!

# OPERATION INSTRUCTIONS

## ***STARTING INSTRUCTIONS:***

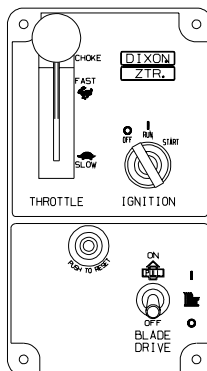
1. Parking brake must be on, and blade drive disengaged.
2. Move throttle control to "choke" position if engine is cold, full throttle if warm.
3. Insert ignition key and turn to "start" position. When engine starts, release ignition key. Key will return to "run" position.
4. Move throttle from "choke" to desired speed position.
5. Release parking brake.
6. Operate the mower per the "CONTROL" instructions on Page 16.



### **CAUTION**

Do not operate the engine in an enclosed area due to the harmful exhaust gas produced.

Note: When mowing, "blade(s) engaged", throttle control must be set to the MAXIMUM or wide open setting to insure adequate cooling of the engine and to maintain mower deck blade speed.



# OPERATION INSTRUCTIONS

## ***SIDE DISCHARGE OF THE CLIPPINGS:***

In order to achieve optimum performance when side discharging the grass clippings, please read and follow the tips listed below.

Additional information can be found in the troubleshooting guide.



**CAUTION** Be sure that the deflector is properly installed on the discharge chute.

1. Set engine speed control to the wide open or full setting.
2. *Do Not Attempt To Cut Grass When It Is Wet.* Wet grass will clog the underside of the deck and discharge area.
3. If the grass is tall, place the mower deck cut height lever in the top or second notch. "Initially" overlap cutting swaths instead of a full swath with each pass. Some applications may require a second cutting.
4. *Keep The Underside Of The Mower Deck Clean.* Frequent removal of dried grass and dirt will allow the clippings to discharge correctly.
5. *Maintain Sharp Blade(s) Throughout The Cutting Season.*

# OPERATION INSTRUCTIONS

## ***GRASS HEIGHT AND CUTTING SUGGESTIONS:***

As a rule of thumb, never cut off more than 1/3 of the total grass blade length.

Correct mowing height can reduce weeds and disease by 50% to 80%.

The following grass cut heights are based on adequate moisture conditions and normal thatch build-up in a healthy lawn. Some locations and applications may require slightly different cut heights. If in doubt, consult your local lawn professional for assistance.

Grass Types	Best Cut Heights
Bermudagrass	1 - 2"
Bluegrass	2 - 3"
Buffalograss	1 <sup>1/2</sup> - 3"
Ryegrass	2 - 3"
Tall Fescue	3 - 3 <sup>1/2</sup> "
Zoysiagrass	1 - 3"

# OPERATION INSTRUCTIONS

## ***MOWING WITH A MULCHING ATTACHMENT:***

Mulching or recycling the grass clippings requires a totally different mowing approach than would be normal when side discharging or bagging the grass. There may be instances or conditions where it is not possible to hide all of the recycled or mulched clippings.

In order to achieve the best results, please read and follow the mulching tips listed below:

1. Set the engine speed control to the wide open or full setting.
2. Place the mower deck cut height selector in either the top or second notch. Never cut more than 3/4" to 1" off the grass at any one time. Attempting to cut more grass will result in the deck plugging and cause the engine to stall.
3. It may be necessary to cut the lawn twice to achieve acceptable mulching performance especially on first cuttings or if the lawn is heavily fertilized.
4. *Do Not Attempt To Cut Grass When It Is Wet.* Mulching performance will be very poor under wet grass conditions.
5. *Maintain Sharp Blade(s) Throughout The Cutting Season.* This is very important. Optimal mulching performance cannot be obtained with a dull or nicked-up blade.



# OPERATION INSTRUCTIONS

## ***MOWING WITH A MULCHING ATTACHMENT (continued):***

6. *Keep the Underside Of The Mower Deck Clean.* Remove all grass and dirt build-up from the underside of the pan, the baffles and deflectors after each use.
7. Alternate mower direction. This will evenly disperse the mulched grass clippings over the lawn for even fertilization.

If the mulching quality of the mower does not seem to be satisfactory, try one or more of the following tips:

1. Raise the height-of-cut setting on your mower.
2. It may be necessary to cut your grass more frequently.
3. Operate the mower at a slower ground speed.
4. Overlap cutting swaths instead of cutting a full swath with each pass.
5. Mow across the marginal areas a second time.
6. ***CUT HIGH - MOW OFTEN!***

# OPERATION INSTRUCTIONS

## ***MOWING WITH A GRASS CATCHER ATTACHMENT:***

In order to achieve optimum performance when mowing with a grass catching attachment, please read and follow the tips listed below.

1. Set engine speed control to the wide open or full setting and engage mower before entering area to be cut.
2. *Do Not Attempt To Cut Grass When It Is Wet.* Wet grass will clog both the underside of the deck and the attachment chutes. Empty bags often to prevent plugging.
3. If the grass is tall, place the mower deck cut height selector in the top or second notch. "Initially" overlap cutting swaths instead of a full swath with each pass.
4. *Keep The Underside Of The Mower Deck Clean.* Frequent removal of dried grass and dirt will greatly assist in bagging of the clippings.
5. Use only the correct blade(s). Some grass catching attachments require a "high-lift" blade. See your dealer for advice on the type of blade(s) needed for your mower.
6. *Maintain Sharp Blade(s) Throughout The Cutting Season.*

# OPERATION INSTRUCTIONS

## ***MOWING WITH A GRASS CATCHER ATTACHMENT (continued):***

7. Operate the mower at a slower ground speed than when mowing without a grass catching attachment.
8. Some mowing applications/use of grass catchers may require that an optional weight box be fitted to the mower to counter the weight of grass in the bags. Please consult with your dealer for more information regarding installation and adding weight to the box.



### **CAUTION**

- Watch for low hanging branches or other obstacles which might hit the catcher top while turning or backing the mower.
- Use care when backing to avoid pushing the grass bags into the frame or "hot" exhaust muffler of the engine.
- Disengage blade and stop engine prior to clearing grass from either the discharge chute or grass catcher components.
- Keep all attachment bolts tight.
- *Do Not* operate the mower with the grass catching attachment partially removed.
- *Important: Do Not* leave clippings in the bags while the mower is stored. Damp grass clippings are a fire hazard if left in the bag.

# CARE AND MAINTENANCE



## CAUTION

*Before performing any maintenance, turn off engine,  
allow to cool & remove key.*

*Use extreme care when working on machinery.*

*Do not wear watch or jewelry. Do not wear loose fitting clothes,  
and observe all common safety practices with tools.*

## MAINTENANCE SCHEDULE

- Check deck serpentine belt.....after 20 hours break-in
- Check crankcase oil level.....before each use
- Clean grass & debris from muffler & manifold area.....before each use
- Check air intake screen.....after each use
- Clean grass under deck.....after each use
- Check tire pressure.....every 10 hours
- Inspect blades for sharpness.....every 10 hours
- Clean air filter element.....every 25 hours
- Grease all zerks.....every 50 hours
- Check all belts.....every 50 hours
- Change engine crankcase oil.....(5 hours break-in) every 50 hours
- Change engine oil filter.....every 50 hours
- Replace air filter element.....annually or every 100 hours

# CARE AND MAINTENANCE

## **ENGINE:**

For complete maintenance and operating information of the engine, please refer to the maintenance instructions furnished by the engine manufacturer and included in your Zero Turn Radius mower information packet.

## **BATTERY:**



### **CAUTION**

*Battery contains sulfuric acid electrolyte which is poisonous and corrosive.*

- This is a maintenance-free battery and the fluid level cannot be checked.
- Charge battery if required.

### OFF SEASON BATTERY STORAGE:

- DO NOT remove battery from mower.
- Clean top of battery and terminals with baking soda and water.
- Identify each cable so they can be reconnected to the correct terminal.
- Disconnect cables from terminals. ALWAYS disconnect ground cable first and reconnect last.
- Charge battery.

## **TIRES:**

Correct tire pressure is essential for efficient operation of the mower. Check tire pressure periodically. Inflate tires to the pressure listed below.

Front Tires	11 x 4.00-5	16-21 lbs. PSI
Rear Tires	18 x 8.50-8	8-14 lbs. PSI

*Lug nuts or lug bolts should be checked regularly for tightness.*

# CARE AND MAINTENANCE

## CUTTER BLADE MAINTENANCE:

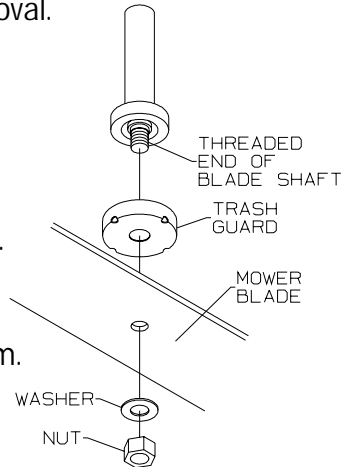


### CAUTION

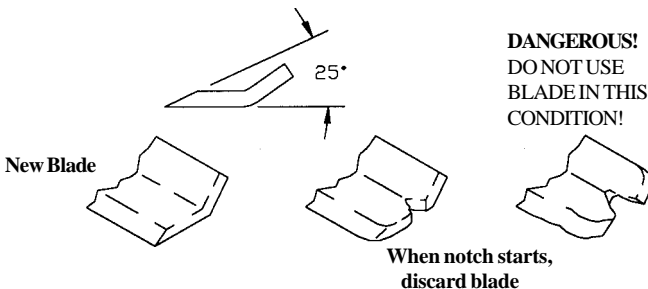
Stop engine and remove ignition key for safety. Wear heavy, thick gloves when holding onto cutter blade. Avoid the sharp edge of the blade.

Check sharpness of mower blades after every 10 hours of operation. Observe proper blade position prior to removal.

1. Safely raise front of mower.
2. Hold or block blade from turning.
3. Loosen blade nut and remove blade.
4. When replacing blade, tighten blade nut securely. Refer to diagram. Be sure blade is centered on pilot before tightening nut to 60 ft. lbs.



Blades should be discarded when worn excessively.



# CARE AND MAINTENANCE

## **BELTS:**

Check belts every 50 hours. Replace any belts found to be in poor condition.

## **BELT TENSION:**

### **Transaxle Drive Belt:**

**P/N 1684**

No adjustment required.

### **Engine to Mower Deck Belt:**

**P/N 6111**

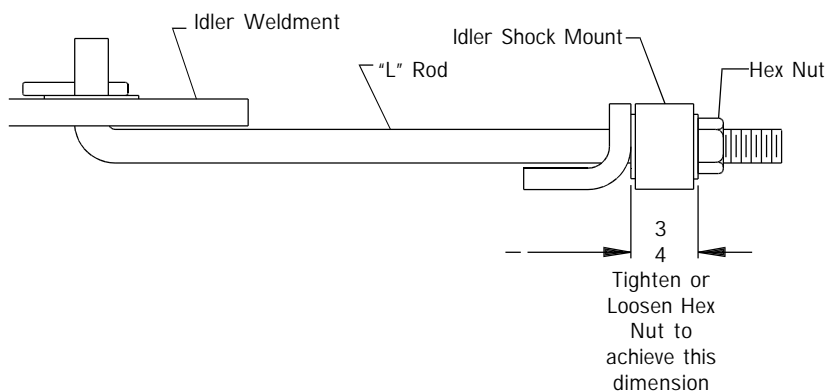
No adjustment required. Correct belt tension is maintained through a fixed engine location and a spring loaded idler system. A pulsing movement of the belt idler will be observed both during engagement of the electric blade clutch and actual operation of the mower deck.

Note: Engagement of the electric blade clutch switch may produce a sharp high pitched chirp or squeal as the belt tension loading is absorbed by the idler system. This is normal and not a sign of failure.

### **Mower Deck Serpentine Belt:**

**P/N 6109**

Refer to illustration for adjustment procedure.

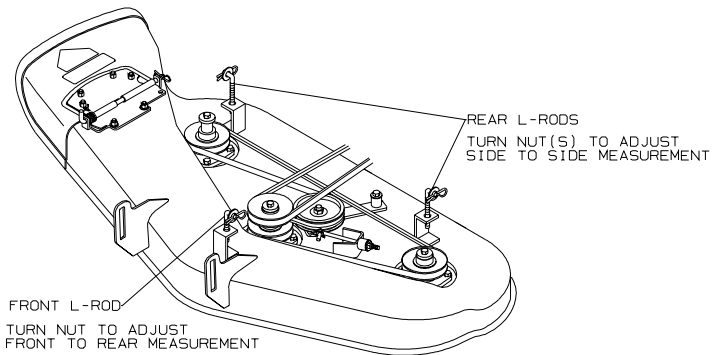


# CARE AND MAINTENANCE

## ***MOWER DECK LEVELING PROCEDURE:***

1. Place mower on a smooth, level surface and check tire pressures to insure correct stance. Tires should be inflated as follows:  
Front: 16-21 lbs  
Rear: 8-14 lbs
2. Turn each outer blade tip to align with the deck in a side to side manner.
3. Measure from the floor surface up to the bottom of the blade tip on the discharge side of the mower. Retain this measurement. Move to the opposite side and check to see if that measurement is the same. If adjustment is required, turn nut on one or both of the rear L-rods until both measurements are equal.
4. Turn each outer blade tip to align with the deck in a front to rear manner.
5. Measure from the floor surface up to the bottom of the blade tips at both the front and rear of the blades. Rear of blade tips should be  $1/8$ " to  $3/8$ " higher than the front of blade tips. If adjustment is necessary, turn nut on front L-rod.

Note: This will place the mower deck in a base measurement position. Additional adjustment may be required to achieve desired cut for the type of grass or conditions involved.



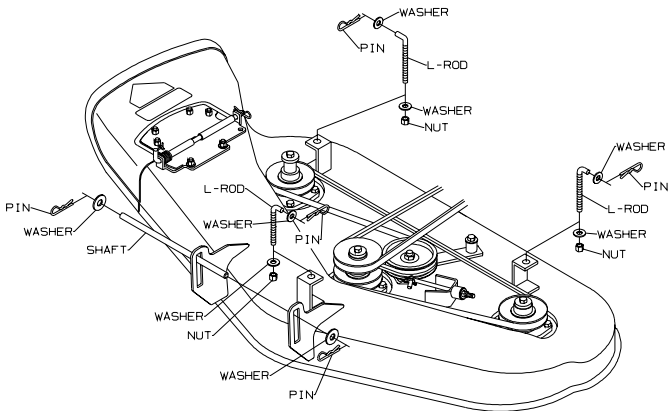


# CARE AND MAINTENANCE

## DECK REMOVAL:

1. Place cut height lever in lowest cut position.
2. Pull belt idler back to allow belt to be removed from idler pulley and electric clutch pulley.
3. Remove hair pin cotter and washer from one end of deck support cross shaft. Slide shaft from chassis and mower deck.
4. Remove hair pin cotter and washer from each deck L-rod. Remove L-rods from lift arms. At this point, deck will drop down.
5. Carefully raise and support front of chassis. Slide mower deck to either side for removal.  
(Reverse procedure to reinstall deck assembly.)

Note: When deck is reinstalled on frame, check that belt is correctly routed in the groves of all pulleys and that belt idler is applying tension to the back side of the belt.



# CARE AND MAINTENANCE



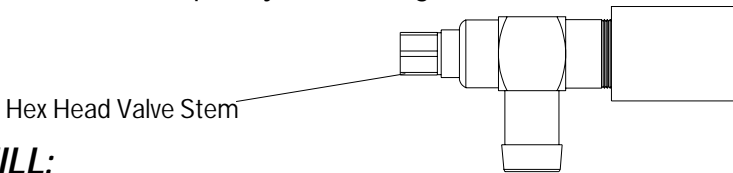
## CAUTION

HOT oil may cause burns. Allow engine to cool before draining oil.

## ***CHANGING THE ENGINE OIL:***

1. The “Dapco” oil drain valve is located on the left side of the engine crankcase.
2. Place a suitable container under the drain valve. The fitting of a short piece of hose will help direct the oil.
3. To drain, turn hex head valve stem counter-clockwise with 10mm wrench or socket. Open to full open (approximately 7 turns).
4. After engine is drained, tighten hex stem.

NOTE: Refer to engine manufacturer’s recommendations for frequency of oil changes.



## ***OIL FILL:***

1. Drain oil.
2. Clean any spilled oil from engine and chassis.
3. Refill engine with type, and quantity of oil recommended by the engine manufacturer in engine literature.

# CARE AND MAINTENANCE

## *DRIVE SYSTEM ADJUSTMENTS:*

Due to both the complex nature of the transmission and the number of special tools required for service, adjustments should be entrusted to your dealer.

There are a number of simple owner service items which greatly influence the performance of the drive system.

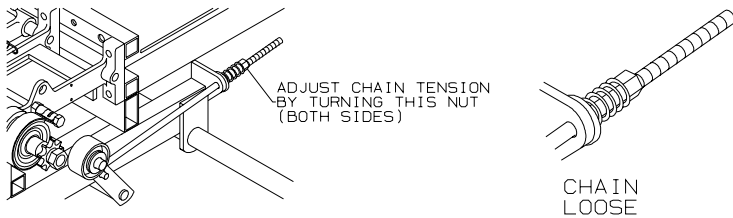
1. Front and rear tires must be inflated to proper specifications.
2. Rear drive chain tension.
3. Tightness of all controls and linkages pertaining to the drive levers.
4. Lubrication of both primary and final drive chains. The use of a high quality chain lubricant is highly recommended.

# CARE AND MAINTENANCE

## ***REAR CHAIN ADJUSTMENT:***

To adjust the rear drive chains on the Zeeter Classic, tighten the nut on top of the spring on each side of the mower chassis. Tighten until the chains have approximately 1/4" movement up and down when measured at a mid point. Refer to illustration.

NOTE: Adjust rear drive chains after first 10 hours of operation and every 40 hours thereafter.

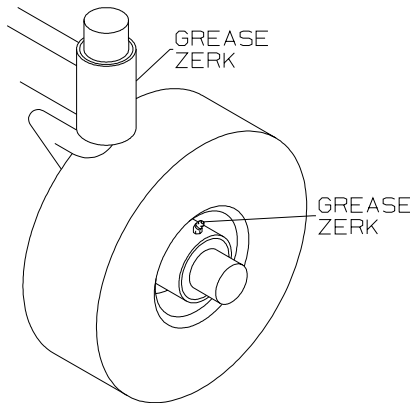


# CARE AND MAINTENANCE

## **LUBRICATION:**

- CHASSIS: (7) grease zerks used
- LOCATIONS: (1) each front wheel caster & front wheel hub  
(1) each mower deck hub
- SERVICE INTERVALS: Every 50 hours of operation
- RECOMMENDED GREASE: Name brand wheel bearing or multi-purpose grease. Once per season or 50 hours of operation (3 pumps each)

Note: Lubrication of the mower deck hubs will help dispel moisture within the hub casting. Bearings are of a sealed variety.



***PLEASE DISPOSE OF USED OILS AT PROPER COLLECTION CENTERS.  
PROTECT YOUR ENVIRONMENT.***

# CARE AND MAINTENANCE

## ***ELECTRICAL SYSTEMS:***

Keep all connections clean and tight.

## ***CLEANING THE MOWER:***

Wash mower periodically. Clean above and below deck.

Note: Allow mower to cool before washing. If bearings are hot, they will draw moisture inside as they dry & cause corrosion.

## ***SERIAL NUMBERS:***

The serial number is located on frame at rear of engine.

## ***WARRANTY:***

See Warranty Registration Form-P/N 8288  
(sample on page 12).

## ***PARTS/SERVICE:***

See your Dixon dealer for replacement parts, warranty or service.

PLEASE HELP PROTECT THE ENVIRONMENT BY AVOIDING ALL  
CHEMICALS WHICH MAY DAMAGE OR CAUSE HARM TO  
PLANTS AND ANIMALS IN YOUR AREA.

# ***STANDARD SERVICE PARTS LIST***

Blades: P/N 8688 (Standard/Hi-Lift)  
P/N 6236 (Lo-Lift)

Belts: Engine to Mower Deck - P/N 6111  
Engine to Transmission - P/N 1684  
Serpentine Blade Drive - P/N 1684

## ***BRIGGS & STRATTON AIR AND OIL FILTER PART NUMBERS:***

Refer to engine manufacturers manual for correct service intervals for engine oil changes and air filter maintenance.

Protect your engine investment, use only original equipment filters.

Air Filter & Pre-Cleaner Kit - P/N 79002  
Oil Filter - P/N 79006

# TROUBLESHOOTING

## 1. ENGINE WON'T TURN OVER

*Mower blades engaged- .....-disengage blades*  
*Circuit Breaker Trips- .....-reset breaker*  
*Dead battery- ..... charge or replace*  
*Solenoid- .....-consult dealer*  
*Ignition switch- .....-consult dealer*  
*Starter- .....-consult dealer*

## 2. ENGINE WILL TURN OVER BUT WON'T START

*No fuel- ..... refuel and/or clean or replace fuel filters*

## 3. HARD TO START ENGINE

*Fuel line clogged- ..... clean fuel line and check fuel filter*  
*Faulty fuel pump- .....-consult dealer*

## 4. ENGINE STARTS BUT CUTS OUT

*Water in fuel- .....-drain old fuel-replace with new fuel*  
*Clogged fuel line- .....-check fuel filter*  
*Fuel tank vent plugged- .....-clean fuel vent*  
*Faulty fuel pump- ..... check vent*

## 5. ENGINE OVERHEATED

*Air intake screen or fins clogged- .....-clean intake screen and fins*  
*Oil level too low or too high- ..... adjust oil level*  
*Running engine too slow- .....-run engine faster*



# TROUBLESHOOTING

## 6. ENGINE RUNS BUT MOWER WON'T MOVE FORWARD

*Drive belt broken or slipping*----- *replace drive belt*

*Bad transmission*----- *consult dealer*

## 7. MOWER LOSES POWER OR TRANSMISSION OVERHEATS

*Engine air filter*----- *clean or replace*

*Transmission damage*----- *consult dealer*

## 8. ENGINE STALLS WHEN BLADES ARE ENGAGED

*Operator not on seat*----- *sit on seat*

*Faulty interlock system*----- *consult dealer*

*Bad blade spindle bearing*----- *consult dealer*

*Deck drive belt not properly routed*----- *reroute*

*Blades blocked by foreign material*----- *clean under deck*

## 9. DRIVE SYSTEM

*Low on power*----- *check belt tension*

*Mower pulls to side* - - - *check tire inflation/adjust control linkage*

*Mower creeps in neutral*----- *adjust control linkage*

## 10. CUT QUALITY

*Skips in spots*----- *check for loose belt/slow ground speed*

*Cut uneven left to right* - - - - - *check tire inflation/level the deck*

*Poor dispersal of grass* - - - - - *clean deck/check for loose belt*

*Ends of grass blades are ragged*----- *sharpen blades*

# *NOTES*

# OWNER INFORMATION

DIXON INDUSTRIES, INC.  
a BLOUNT International Inc. Co.  
P.O. Box 1569  
Coffeyville, Ks 67337-0945  
620-251-2000  
FAX 620-251-4117



*Date Purchased* \_\_\_\_\_

*Mower Model Number* \_\_\_\_\_

*Mower Serial Number* \_\_\_\_\_

*Purchased From* \_\_\_\_\_

*Name*

*Address*



*DATE OIL CHANGED:*

\_\_\_\_\_  
\_\_\_\_\_  
\_\_\_\_\_  
\_\_\_\_\_  
\_\_\_\_\_  
\_\_\_\_\_  
\_\_\_\_\_  
\_\_\_\_\_  
\_\_\_\_\_  
\_\_\_\_\_

*DATE ENGINE TUNED:*

\_\_\_\_\_  
\_\_\_\_\_  
\_\_\_\_\_  
\_\_\_\_\_  
\_\_\_\_\_  
\_\_\_\_\_  
\_\_\_\_\_  
\_\_\_\_\_  
\_\_\_\_\_  
\_\_\_\_\_



ZTR®Mowers



**WARNING:**

*The engine exhaust from this product contains chemicals known to the State of California to cause cancer, birth defects or other reproductive harm.*

Dixon® and ZTR® are registered trademarks of Dixon Industries, Inc.

DIXON INDUSTRIES, INC.  
a BLOUNT International Inc. Co.  
P.O. Box 1569  
Coffeyville, Ks 67337-0945  
620-251-2000

ZEETER Classic  
Part No. 10504-1101